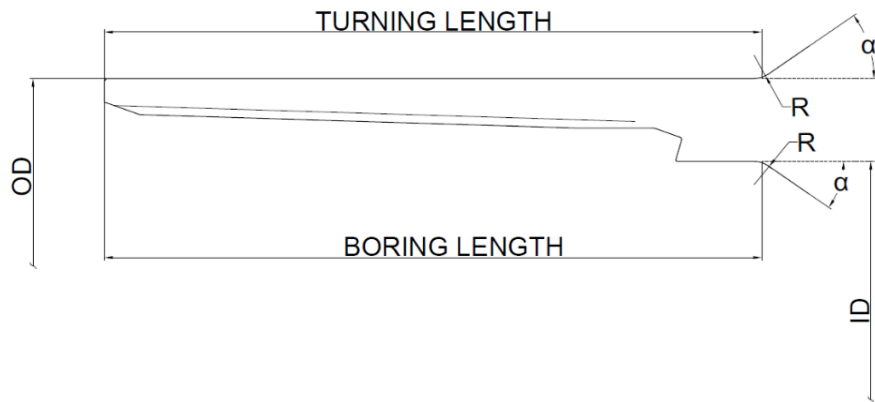


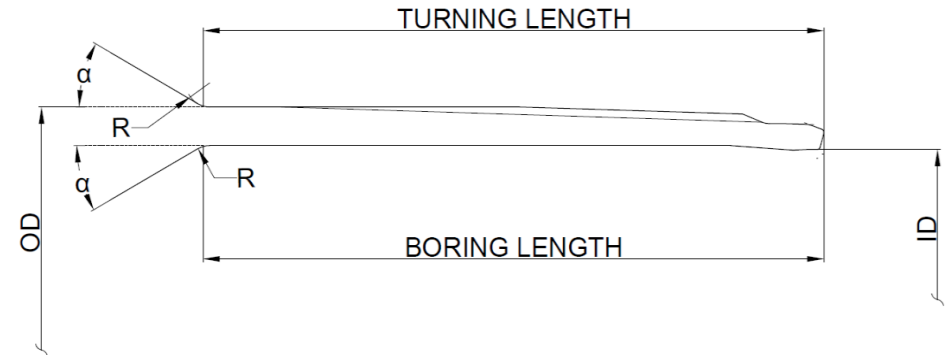
7 in 29 lb/ft

Clearance: Standard

Label	Pin/Box	OD [mm]	ID [mm]	Min. Turning Length [mm]	Min. Boring Length [mm]	OD [in]	ID [in]	Min. Turning Length [in]	Min. Boring Length [in]
7 in 29 lb/ft	BOX	194.60 ± 0.70	155.50 ± 0.20	144.00	144.00	7.661 ± 0.028	6.122 ± 0.008	5.669	5.669
	PIN	178.24 ± 1.33	156.05 ± 0.20	150.00	150.00	7.018 ± 0.052	6.144 ± 0.008	5.906	5.906



BOX



PIN

$$R_{\min} = 20 \text{ mm} = 0.79 \text{ in}$$

$$\alpha_{\min} = 30^\circ$$



www.sentinelconnections.com

PCBD-SENTINEL_Prime-7-29

Date of issue (dd/mm/yyyy): 31/10/2024